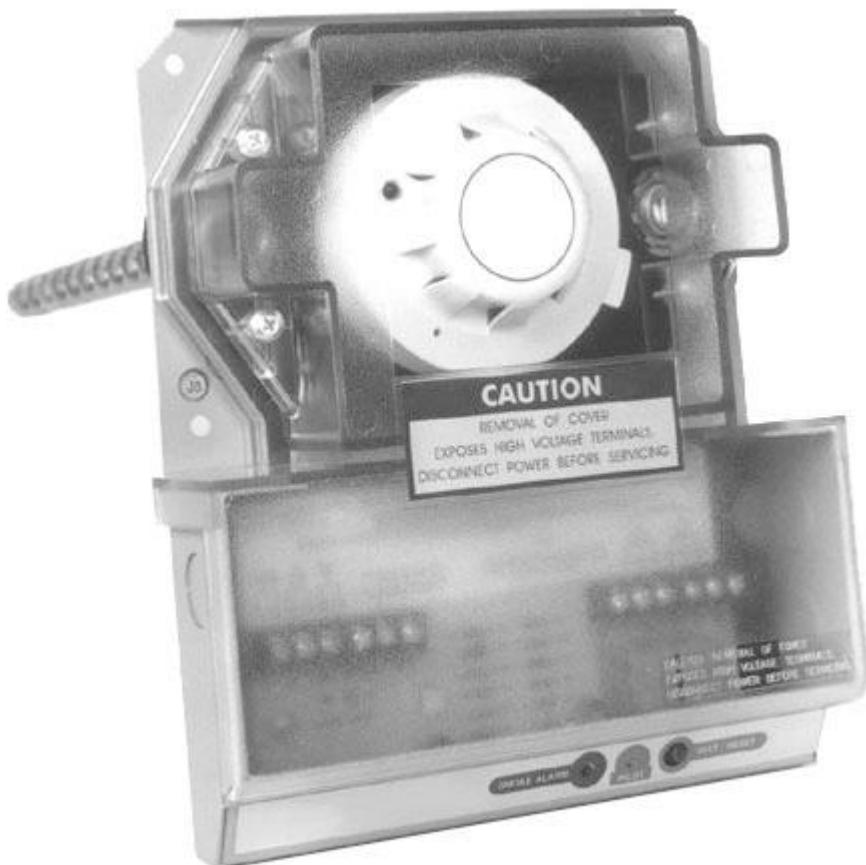


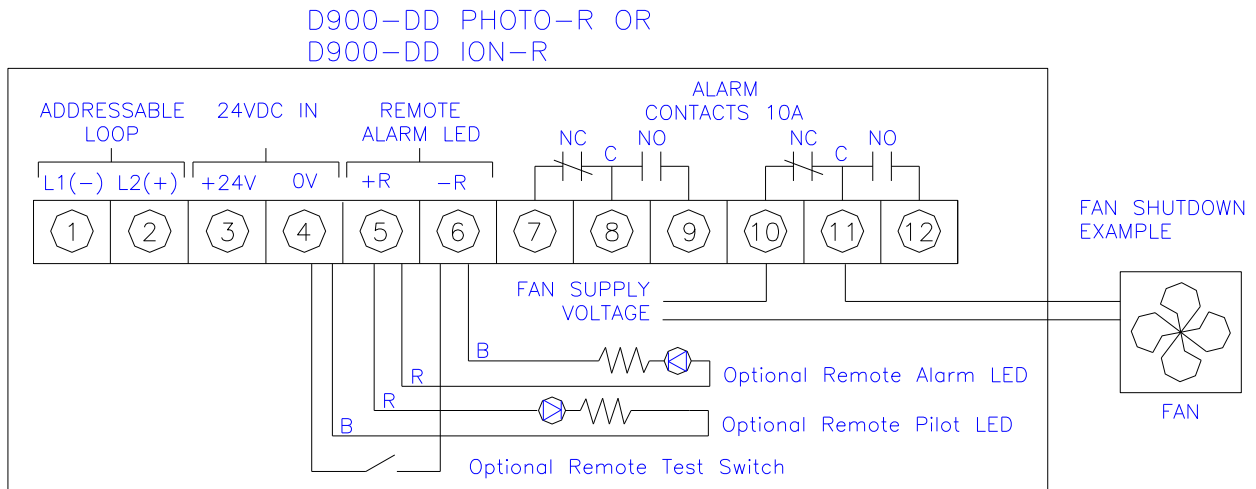
The National Time *DigiComm*[™] Analog Addressable Duct Smoke Detectors provide early detection of smoke and products of combustion present in air moving through an HVAC duct. The *DigiComm*[™] Analog Addressable Duct Smoke Detectors maintain consistent alarm detection over changing ambient conditions. In collaboration with the FACP, its intelligent self-adjusting drift compensation algorithm provides true alarm threshold levels above the detectors ambient value levels. The positive identification of a dirty *DigiComm*[™] Duct Smoke Detector provides early warning of a potential false alarm condition. The detector's address is set in the detector base mounted in the duct housing providing a convenient and trouble free maintenance procedure. The D900-DD-ION or D900-DD-PHOTO provides HVAC duct detection, while the D900-DD-ION-R or D900-DD-PHOTO-R provides HVAC duct detection and alarm relay contact output.

Features:

- Style 4, 6, or 7 Communication Wiring
- Superior *DigiComm*[™] Digital Communication Protocol
- Two 10A (@ 115VAC resistive) Form "C" Alarm Contacts
- Visual Alarm LED Indicators
- False Alarm Immunity
- Dirty Detector Sense
- U.L. Listed



Wiring Diagrams



Specifications

DigiComm™ Loop Power:	Voltage Range 17VDC to 28VDC
DigiComm™ Standby Current:	D900-DD-ION/D900-DD-ION-R: 280uA D900-DD-PHOTO/D900-DD-PHOTO-R: 340uA
24VDC Standby Current:	D900-DD-ION-R/D900-DD-PHOTO-R: 10mA @ 24VDC (25mA w/ Pilot LED)
DigiComm™ Alarm Current:	D900-DD-ION: 280uA; D900-DD-ION-R: 1.3mA D900-DD-PHOTO: 340uA; D900-DD-PHOTO-R: 1.3mA
24VDC Alarm Current:	D900-DD-ION-R/D900-DD PHOTO -R: 55mA @ 24VDC (70mA w/ Pilot LED)
Operating Range (From External Supply):	18VDC – 30VDC
Communication:	Style 4, 6, or 7 (via the <i>DigiComm™</i> Communication Loop)
Air Velocity:	500-4000 ft./min.
Ambient Temp:	32° F – 120° F (0° C- 49°C)
Radioactive Element:	For D900-DD-ION & D900-DD-ION-R only, Americium 241; 0.9 Micro-Curies
Dimensions:	10"H x 8.25" W x 2.25" D
Weight:	Approx 4 lbs.

Part No.	Description
D900-DD-ION	Analog Ion Duct Smoke Detector
D900-DD-PHOTO	Analog Photo duct Smoke Detector
D900-DD-ION-R	Analog Ion Duct Smoke Detector w/2 form C contact Relays
D900-DD-PHOTO-R	Analog Photo Duct Smoke Detector w/2 Form C Contact Relays
D900-IDENT	Identification Card
D900-DD-RMT LED	Duct Detector Remote LED
D900-TUBE-10	10 ft. SAMPLING TUBE
D900-TUBE-5	5 FT. SAMPLING TUBE
D900-TUBE-2.5	2.5 FT. SAMPLING TUBE